

**EZ Shredders**

**Airtight  
SOLUTIONS**



**Filters & Fans  
Modular Duct  
Flexible Hose**

**Hardwood  
Softwood  
Chipboard  
MDF  
Paper  
Cardboard  
Remnants**



**New Rotor design!**

**Airtight  
SOLUTIONS**



**Filter & Fans  
Modular Duct  
Flexible Hose**

**AUSTRALIA 1800 424 784**  
sales@airtight.com.au [www.airtight.com.au](http://www.airtight.com.au)

**NEW ZEALAND 0800 247 844**  
sales@airtight.co.nz [www.airtight.co.nz](http://www.airtight.co.nz)

## Robust Shredders – Reliable operation

**Airtight** shredders have for years been installed in trade and industrial operations for economical processing of wood wastes and many other materials. The machines are characterized by their robust technology and consequently reliable operation.

**Airtight** shredders are optimally laid out for customer specific task formulation (material, flow-rate, particle size).

The machines guarantee a trouble free shredding process with high energy efficiency. Particular characteristics are:

- ✓ Sophisticated, robust technology
- ✓ Economic shredding of different materials
- ✓ High reliability and high utilization value

## Shredding – simple and effective

The shredder operates very quietly and dust free: The material to be shredded is firstly deposited into a large hopper. Via a hydraulically controlled pusher it is then pressed against the cutting rotor. The shredding of the material occurs between a rotor shaft and a fixed opposing knife.

The pusher's feed rate is controlled directly and is dependent on the power consumption of the main motor. The fixed screen, located underneath the rotor, determines the desired shavings size. After shredding optional transportation of the shavings takes place via an extraction unit, a screw conveyor or a conveyor belt.



EZ-15/2

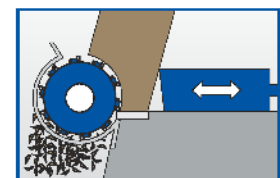
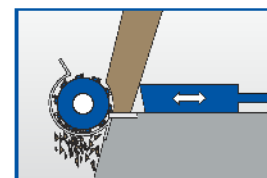
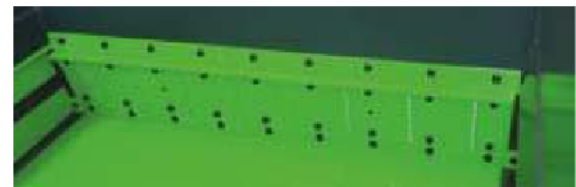
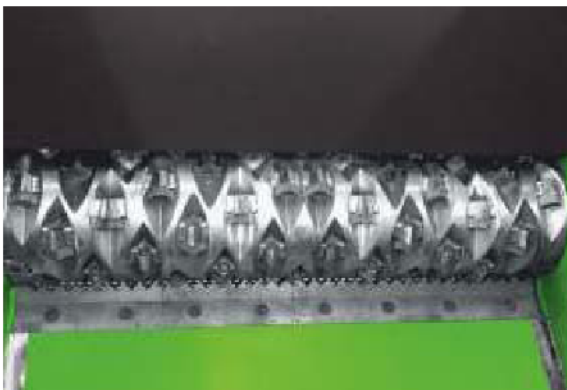


EZ-13/2

## Fixed rotors – Customized rotor diameters

The rotors are manufactured from one piece and for this reason they are particularly torsion-resistant. Specially manufactured knife holders are welded around the circumference of the profiled rotors. The quadruple rotating rotor knives are screwed

into this from behind whereby optimal damage protection of the screw heads as well as faster knife changes are made possible. Different rotor diameters (252, 368, 462 and 600 mm) are available each according to application purposes.



## Sophisticated technology in detail



Via the standard installed pusher the material is pressed against the rotor shaft. The stripper band prevents thin materials from getting stuck between the pusher and the machine board.

Newly developed, robust flange bearings guarantee a long bearing service life.



The hydraulic aggregate is fully integrated into the machine body. Hydraulic cylinder is gimballed stored thus ensuring a long life span.



The size of the chips is determined by the inserted screen perforations. The design of the screen perforation size is dependent on the subsequent use of the chips.

The insertion of concave cutting tools (quadruple rotation) makes high chipping power possible even with hard materials. Eight times rotating KARO cutting tools guarantee a long knife life.

## Practical examples



EZ 6/1 next to a panel for the crushing of particle board and plywood panels remains



EZ 10/2 with 37 KW, filled with scrap wood on the conveyor belt, material discharge with discharge to the slate floor conveyor



EZ 13/2 using a discharge on a platform for further transport of the material on a conveyor belt



EZ 8/2 specifically for shredding of glue



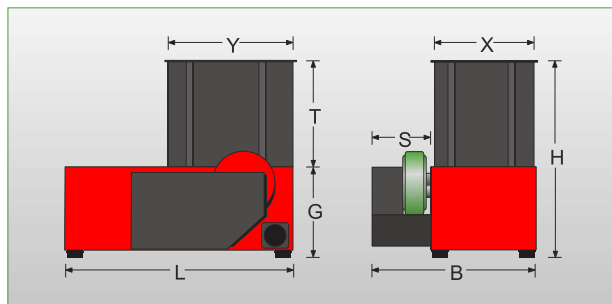
## Delivery programme – Technical Data

Type	Motor	Rotor length	Rotor-Ø	Hopper	Hopper volume	Screen size	Connection-Ø	Weight*
EZ 5/1	11 kW	500 mm	180 mm	500 x 745 mm	0,5 m <sup>3</sup>	10 - 40 mm	160 mm	800 kg
EZ 6/1	15 / 18,5 kW	600 mm	252 mm	600 x 800 mm	0,6 m <sup>3</sup>	10 - 40 mm	160 mm	1400 kg
EZ 8/1	18,5 / 22 kW	800 mm	252 mm	800 x 1000 mm	0,9 m <sup>3</sup>	10 - 40 mm	200 mm	1600 kg
EZ 8/2	18,5 / 37 kW	800 mm	368 mm	800 x 1.200 mm	1,0 m <sup>3</sup>	10 - 40 mm	200 mm	2.200 kg
EZ 10/1	22 kW	1000 mm	252 mm	1000 x 1000 mm	1,2 m <sup>3</sup>	10 - 60 mm	200 mm	2400 kg
EZ 10/2	30 / 37 kW	1000 mm	368 mm	1000 x 1200 mm	1,3 m <sup>3</sup>	10 - 60 mm	200 mm	2800 kg
EZ 13/2	30 / 37 / 45 kW	1300 mm	368 mm	1300 x 1200 mm	1,6 m <sup>3</sup>	10 - 60 mm	200 mm	4000 kg
EZ 15/2	37 / 45 / 55 kW	1500 mm	368 mm	1500 x 1500 mm	2,3 m <sup>3</sup>	10 - 60 mm	250 mm	4500 kg

\* equipment dependent

Standard equipment: Rubber oscillating unit, gear type limit switch, switch box including SPS control

Type	L	B	H	G	T	S	X	Y
EZ 5/1	1525	1023	1618	730	888	320	500	745 mm
EZ 6/1	1800	1190	1640	740	900	430	600	800 mm
EZ 8/1	2100	1390	1640	740	900	430	800	1000 mm
EZ 8/2	2100	1690	1730	990	1020	430	800	1200 mm
EZ 10/1	2100	1590	1640	740	900	430	1000	1000 mm
EZ 10/2	2400	1890	1720	990	730	730	1000	1200 mm
EZ 13/2	2400	2300	1720	990	730	730	1300	1200 mm
EZ 15/2	3000	2300	1720	990	730	730	1500	1500 mm



## The most aggressive rotor of all time - the throughput miracle!



The new cutting system - the total package:

- ✓ brilliant rotor
- ✓ ingenious slider control
- ✓ Rewind this throughput advantage sloping counter knife less effort high
- ✓ number of blades (concave)  
The knife carrier are fed into the
- ✓ blades welded pockets the cutting
- ✓ blades are screwed from the rear
- ✓

