



## AIRTIGHT T500 Filtration System

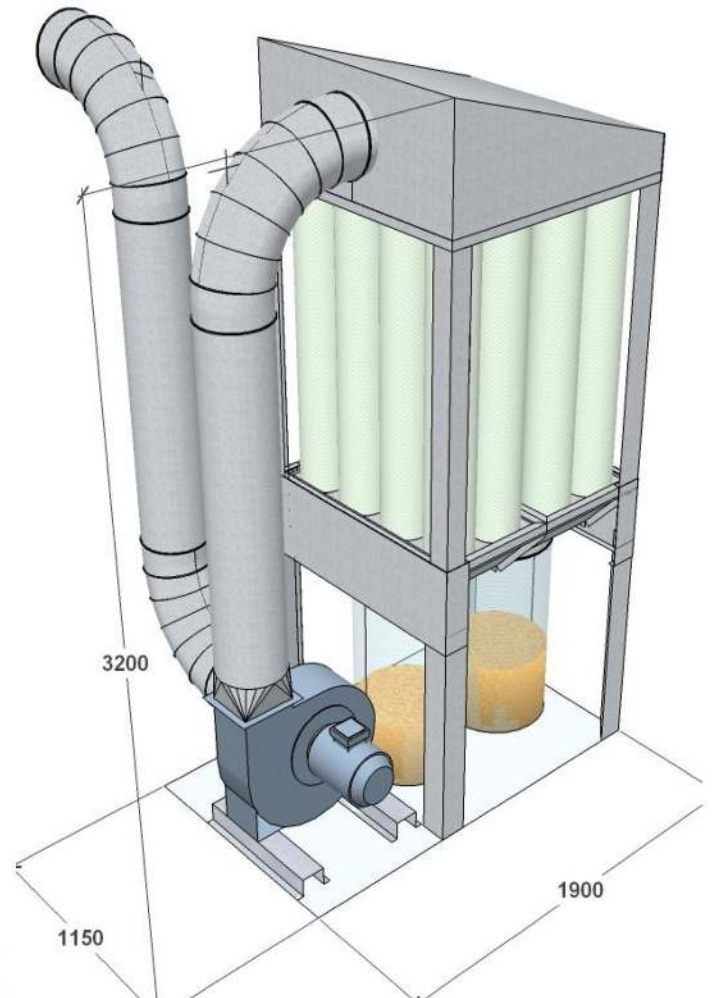
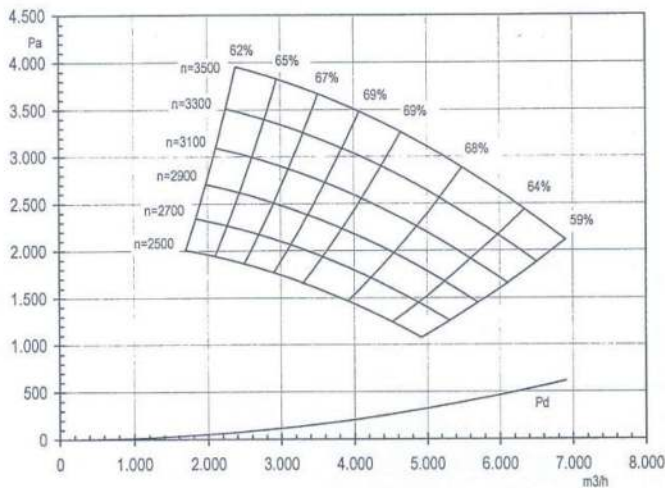
### FEATURES

- The most powerful filter of its size on the market
- Constant cleaning of filter bags
- High efficiency fan (self cleaning) –
- Quite, powerful operation
- Reverse incline impeller
- Competitively priced
- Outdoor versions available

### SPECIFICATIONS

<b>Model</b>	<b>AIRTIGHT T500 4kw</b>
<b>Cleaning</b>	Constant bag flush
<b>Capacity</b>	4,500 m <sup>3</sup> /h @ 2,300 Pa (3000rpm)
<b>Filter Area</b>	16 x Needlefelt filter bags ~ 16m <sup>2</sup> filter area
<b>Fan</b>	- High efficiency, materials handling fan, heavy duty plate – powerful! - Self cleaning Reverse incline impeller Duct inlet: 250mm
<b>Motor</b>	High efficiency 4KW, 2980 rpm
<b>Motor Starter</b>	Motor Start/Stop Box included
<b>Dimensions</b>	~1,150 (D) x 1,900 W x 3,250 H

### Performance Curve



### The T500 filter is typically used for

- Medium size CNC machines (high volume/high waste load)
- Medium to large Edge banders (require high pressure), and/or
- Multiple smaller machines running simultaneously

### Why choose the Airtight T500 filter system?

- Proven, reliable & powerful performance

